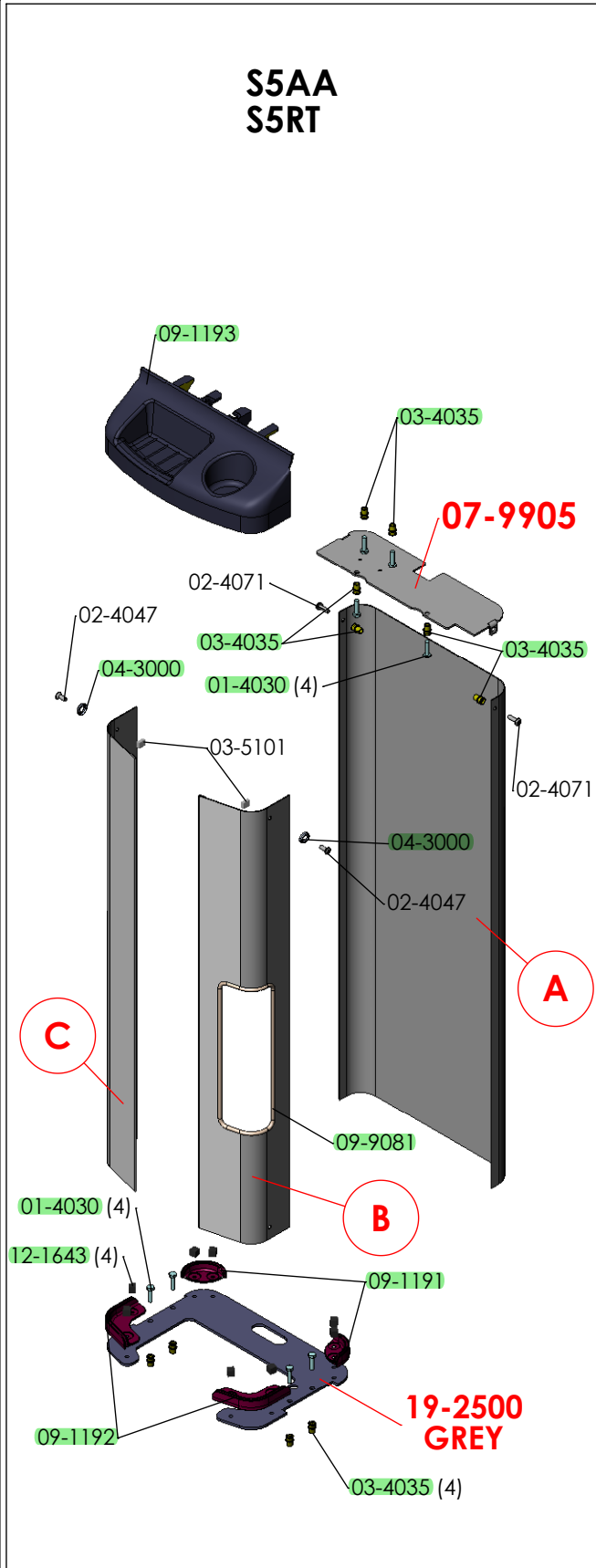
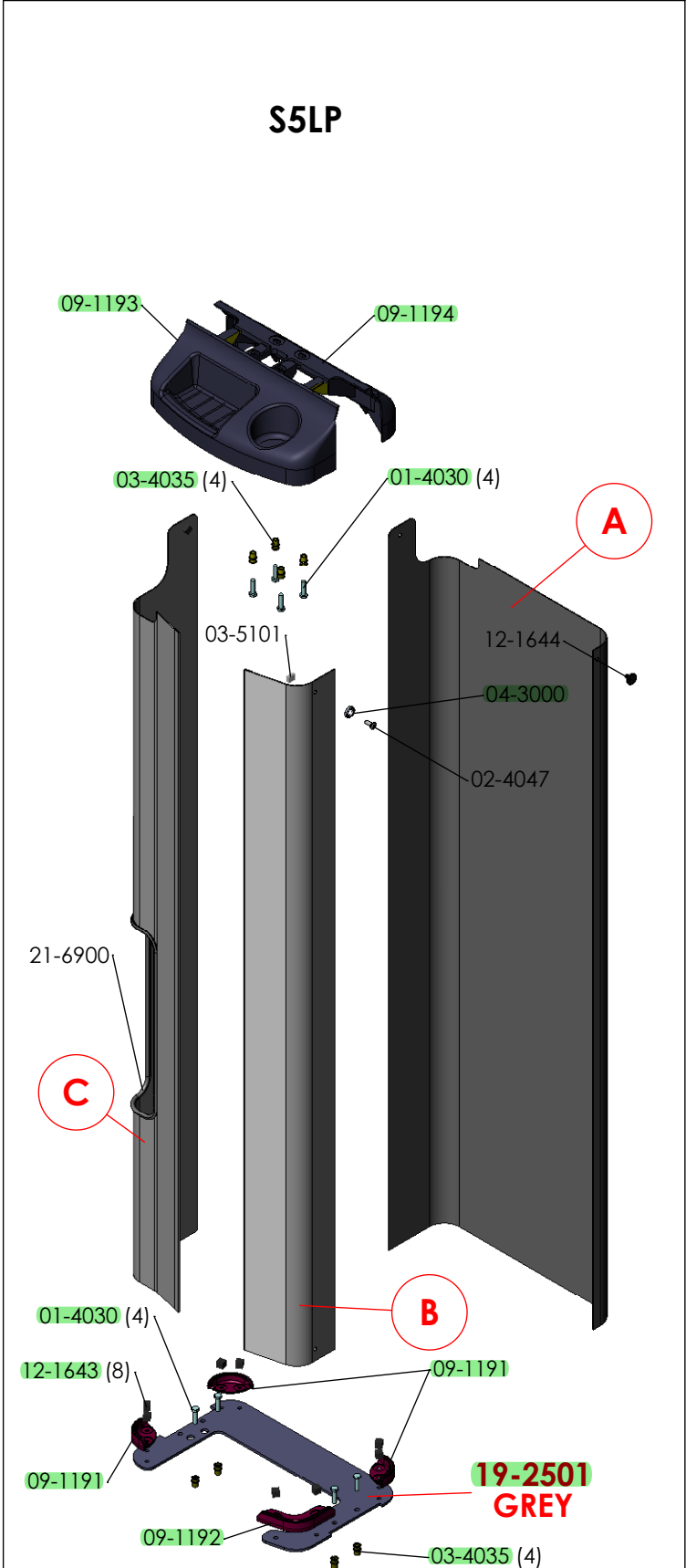
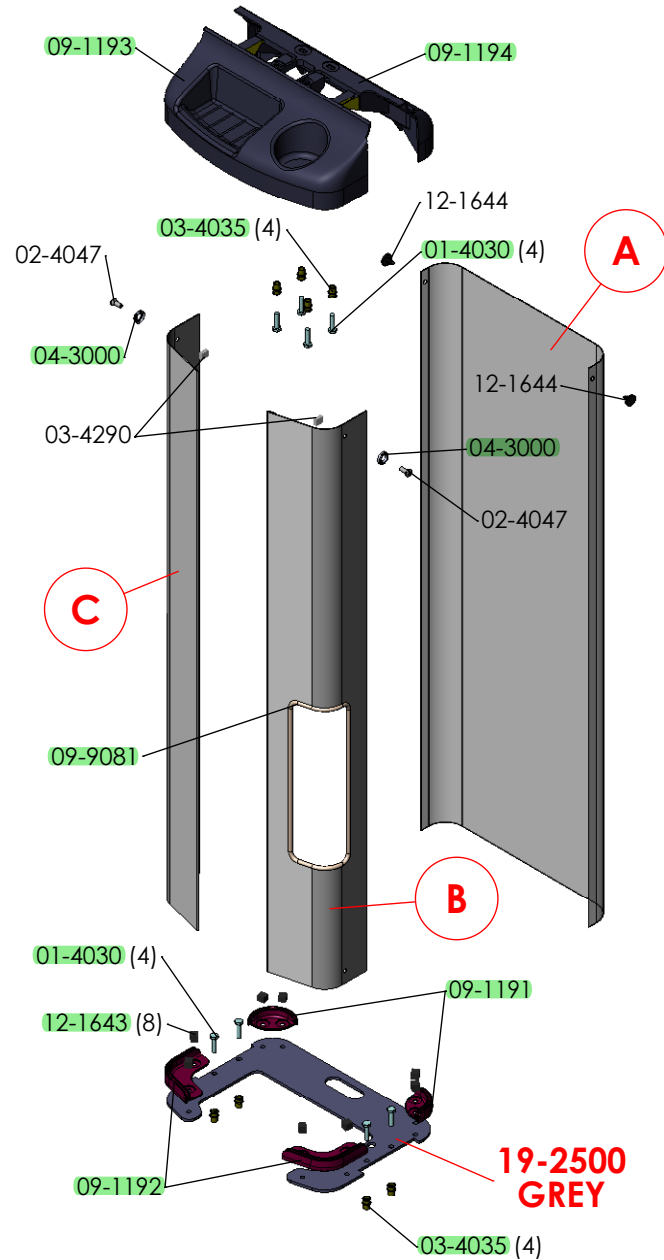




**Red: PAINTED ITEMS**  
**Blue: KITS**  
**PAINTED SHIELD VERSION**

REVISIONS				
ECO	REVISION	REV DESCRIPTION	APPROVED	DATE

- S5AB
- S5BC
- S5CR
- S5GRV
- S5IP
- S5LATP
- S5LB
- S5LC
- S5LCP
- S5LE
- S5LR
- S5OP
- S5PC
- S5PF
- S5PO
- S5RDPF
- S5SC
- S5SD
- S5TE
- S5VC
- S5VTE
- S5MR



MACHINE	A	B	C
S5AA	19-2503	19-2538 (SLOT)	19-2531 (NO SLOT)
S5AB	19-2504	19-2540 (SLOT)	19-2532 (NO SLOT)
S5BC	19-2502	19-2530 (NO SLOT)	19-2537 (SLOT)
S5CR	19-2507	19-2544 (SLOT)	19-2535 (NO SLOT)
S5GRV	19-2509	19-2547 (NO SLOT)	19-2547 (NO SLOT)
S5IP	19-2504	19-2532 (NO SLOT)	19-2539 (SLOT)
S5LATP	19-2506	19-2534 (NO SLOT)	19-2542 (SLOT)
S5LB	19-2504	19-2540 (NO SLOT)	19-2536 (CUT-OUT)
S5LC	19-2504	19-2540 (SLOT)	19-2532 (NO SLOT)
S5LCP	19-2504	19-2540 (SLOT)	19-2532 (NO SLOT)
S5LE	19-2504	19-2540 (SLOT)	19-2532 (NO SLOT)
S5LP	19-2508	19-2535 (NO SLOT)	19-2545 (SLOT)
S5LR	19-2504	19-2532 (NO SLOT)	19-2539 (SLOT)
S5MR	19-2504	19-2540 (SLOT)	19-2532 (NO SLOT)
S5OP	19-2504	19-2532 (NO SLOT)	19-2539 (SLOT)
S5PC	19-2504	19-2540 (SLOT)	19-2532 (NO SLOT)
S5PF	19-2505	19-2533 (NO SLOT)	19-2541 (SLOT)
S5PO	19-2507	19-2543 (SLOT)	19-2535 (NO SLOT)
S5RDPF	19-2507	19-2535 (NO SLOT)	19-2546 (SLOT)
S5RT	19-2503	19-2538 (SLOT)	19-2531 (NO SLOT)
S5SC	19-2504	19-2540 (SLOT)	19-2532 (NO SLOT)
S5SD	19-2504	19-2540 (SLOT)	19-2532 (NO SLOT)
S5TE	19-2502	19-2530 (NO SLOT)	19-2537 (SLOT)
S5VC	19-2505	19-2533 (NO SLOT)	19-2541 (SLOT)
S5VTE	19-2504	19-2540 (SLOT)	19-2532 (NO SLOT)

1. All labeled components are to be assembled as complete as possible before shipment unless otherwise noted.

Size	Bolt Torque Specifications	
	Grade 5 Torque (ft-lbs)	Grade 8 Torque (ft-lbs)
1/4-20	8	12
1/4-28	10	14
5/16-18	17	25
3/8-16	30	45
7/16-14	50	70
1/2-13	75	110
1/2-20	90	120
5/8-11	150	220
5/8-18	180	240

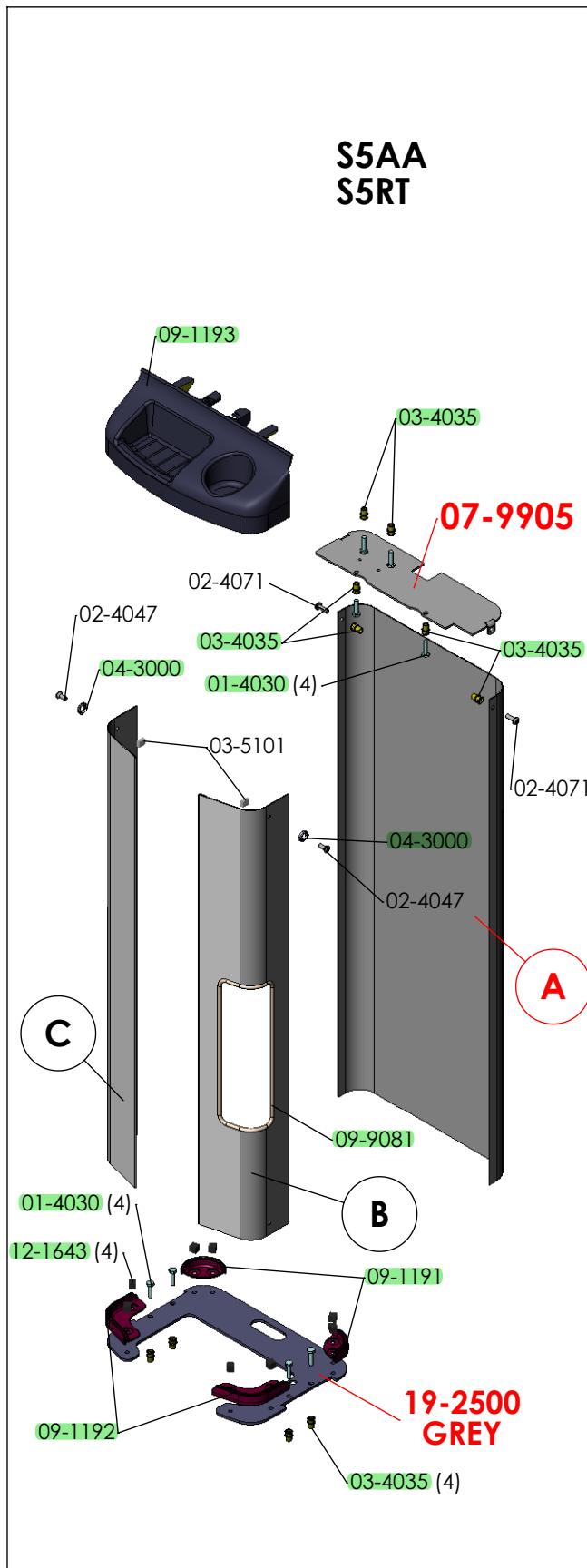
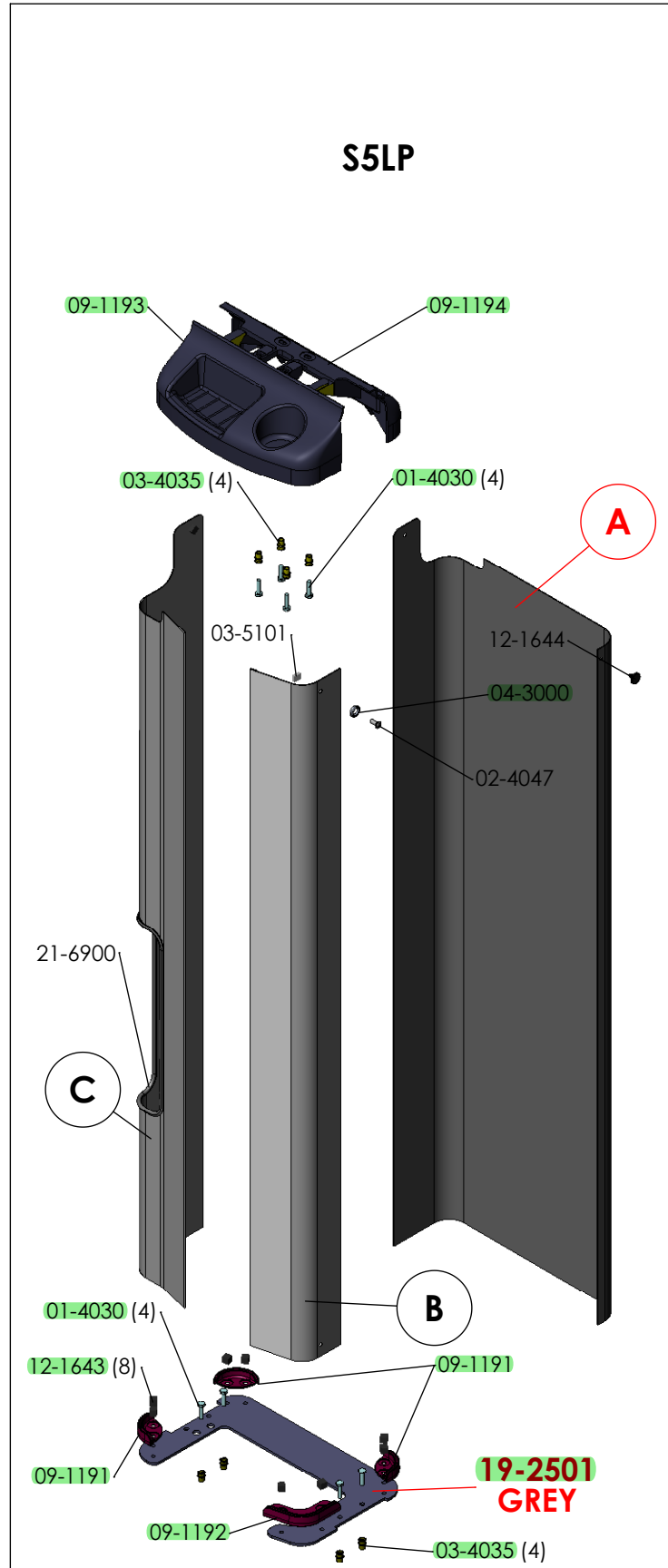
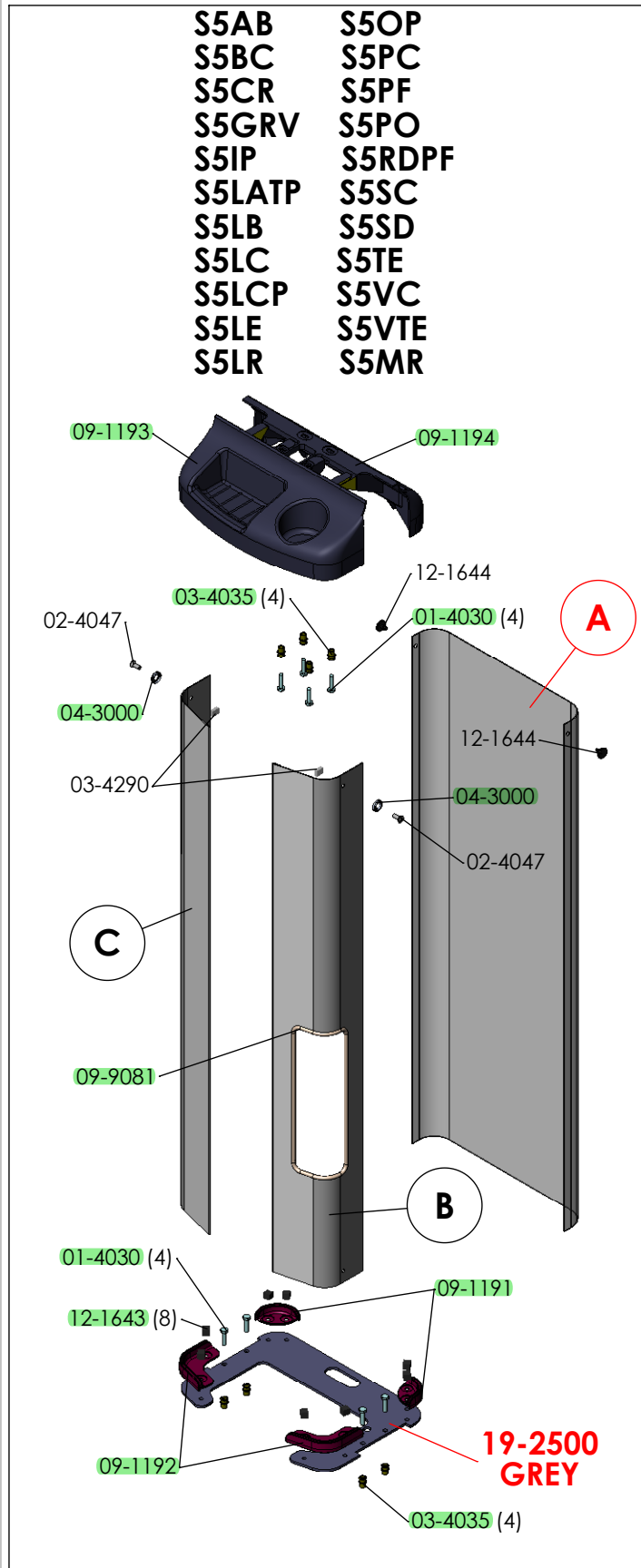
**Nitro Plus (S5)**  
**SHIELD ASSEMBLY**  
**95-0102**

**PAINTED SHIELD VERSION**



Red: PAINTED ITEMS  
Blue: KITS

**STAINLESS STEEL SHIELD VERSION**



MACHINE	A	B	C
S5AA	19-2503	19-2518 (SLOT)	19-2511 (NO SLOT)
S5AB	19-2504	19-2520 (SLOT)	19-2512 (NO SLOT)
S5BC	19-2502	19-2510 (NO SLOT)	19-2517 (SLOT)
S5CR	19-2507	19-2524 (SLOT)	19-2515 (NO SLOT)
S5GRV	19-2509	19-2527 (NO SLOT)	19-2527 (NO SLOT)
S5IP	19-2504	19-2512 (NO SLOT)	19-2519 (SLOT)
S5LATP	19-2506	19-2514 (NO SLOT)	19-2522 (SLOT)
S5LB	19-2504	19-2520 (NO SLOT)	19-2516 (CUT-OUT)
S5LC	19-2504	19-2520 (SLOT)	19-2512 (NO SLOT)
S5LCP	19-2504	19-2520 (SLOT)	19-2512 (NO SLOT)
S5LE	19-2504	19-2520 (SLOT)	19-2512 (NO SLOT)
S5LP	19-2508	19-2515 (NO SLOT)	19-2525 (SLOT)
S5LR	19-2504	19-2512 (NO SLOT)	19-2519 (SLOT)
S5MR	19-2504	19-2520 (SLOT)	19-2512 (NO SLOT)
S5OP	19-2504	19-2512 (NO SLOT)	19-2519 (SLOT)
S5PC	19-2504	19-2520 (SLOT)	19-2512 (NO SLOT)
S5PF	19-2505	19-2513 (NO SLOT)	19-2521 (SLOT)
S5PO	19-2507	19-2523 (SLOT)	19-2515 (NO SLOT)
S5RDPF	19-2507	19-2515 (NO SLOT)	19-2526 (SLOT)
S5RT	19-2503	19-2518 (SLOT)	19-2511 (NO SLOT)
S5SC	19-2504	19-2520 (SLOT)	19-2512 (NO SLOT)
S5SD	19-2504	19-2520 (SLOT)	19-2512 (NO SLOT)
S5TE	19-2502	19-2510 (NO SLOT)	19-2517 (SLOT)
S5VC	19-2505	19-2513 (NO SLOT)	19-2521 (SLOT)
S5VTE	19-2504	19-2520 (SLOT)	19-2512 (NO SLOT)

1. All labeled components are to be assembled as complete as possible before shipment unless otherwise noted.

Size	Bolt Torque Specifications	
	Grade 5 Torque (ft-lbs)	Grade 8 Torque (ft-lbs)
1/4-20	8	12
1/4-28	10	14
5/16-18	17	25
3/8-16	30	45
7/16-14	50	70
1/2-13	75	110
1/2-20	90	120
5/8-11	150	220
5/8-18	180	240

**Nitro Plus (S5)  
Shield Assembly  
95-0102**

**STAINLESS STEEL SHIELD VERSION**